

OPERATION & MAINTENANCE

Model RI & RD Round Control Dampers

STORAGE OF DAMPERS PRIOR TO INSTALLATION

The basic intent of proper storage of Models RI & RD control dampers is to prevent physical damage, material corrosion, and deterioration of organic material.

- Visually inspect the damper for damage. Store indoors, protected from sunlight, moisture and flooding. Protect dampers from debris and dirt accumulation. Keep all conduit entry plugs and actuator access covers in place.
- The damper drive should be stored in a clean dry area. Damage due to moisture is not covered by Actuator and Damper warranty.
- Isolate damper from any high vibration loading.

ELECTRICAL GUIDLINES

Electrical and/or pneumatic connections to damper actuators should be made in accordance with the wiring and piping diagrams developed in compliance with applicable codes, ordinances, and regulations.

SAFETY CAUTION!

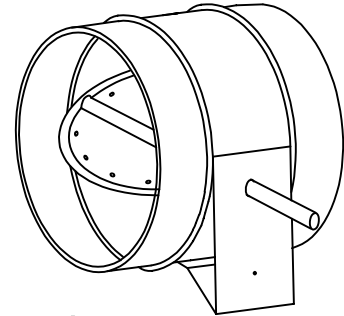
Verify Power requirements before wiring actuator. United Enertech is not responsible for any damage to, or failure of the unit caused by incorrect field wiring.

ANNUAL MAINTENANCE:

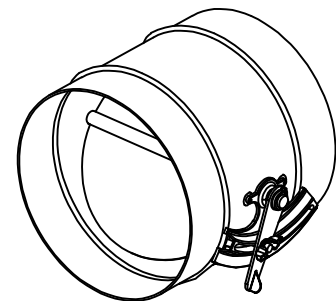
- Remove any debris or other foreign material.
- Verify that fasteners or hardware used to install damper do not contact moving parts of the damper.
- Lubricate bushings with a silicone lubricant. Do not use oil based products as they could attract dust.
- Operate (fully open and close) the damper using the actuator or hand quadrant.

OPERATION:

- Operate damper through its full cycle, and verify that the blade opens and closes properly.



MODEL RI



MODEL RD

Due to continuing research, United Enertech reserves the right to change specifications without notice

Job Name:	<input type="checkbox"/> Models RI & RD		
Location:			
Architect:	DRAWN BY:	DATE:	REV. DATE:
Engineer:	CLJ	8-21-09	
Contractor:	REV. NO.	APPROVED BY:	
		SDC	