

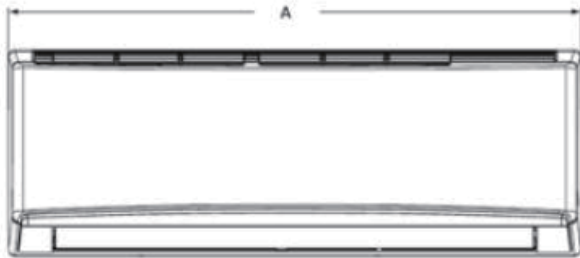
**SPLIT TYPE**
**VIOLET**
**Model:  
KW24HQ2B8D**


Item	Unit	Specification
ODU Model	—	KW24HQ2B8DO
IDU Model	—	KW24HQ2B8DI
<b>System Ratings</b>		
Cooling Capacity	Btu/h	22,000
Heating Capacity (47°F)	Btu/h	23,000
Heating Capacity (17°F)	Btu/h	14,600
Cooling Capacity Range	Btu/h	6,824-27,296
Heating Capacity Range	Btu/h	6,824-30,708
Cooling Power Input (Max)	W	3,000
Heating Power Input (Max)	W	3,000
SEER	—	20.0
HSPF	—	10.0
EER	W/W	12.5
COP	W/W	3.4
Cooling Operation Range	°F(°C)	0~115.0 (-18.0~46.0)
Heating Operation Range	°F(°C)	-4~75.0 (-20.0~24.0)
Gas Pipe Size (OD)	Inch	5/8
Liquid Pipe Size (OD)	Inch	1/4
Connection Method	—	Flared
Factory Charge	oz	77.6
Additional Charge	oz/ft	0.54
Pre-Charge Length	ft.	25
MAX Refrigerant Length	ft.	82
Min Refrigerant Pipe Length	ft.	10
MAX Refrigerant Pipe Elevation	ft.	33
<b>Indoor Unit Data</b>		
Fan Motor Power Output	W	60
Fan Motor FLA	A	0.4
Air Flow Volume	CFM	530/706
Sound Pressure Level	dB(A)	36/48
Dehumidication	pt/hr	4.23
Power Supply	—	208/230V / 1Ph / 60Hz
Min/Max Voltage	V	187 - 253
MCA	A	20.0
MOCP/Breaker Size	A	30.0
<b>Outdoor Unit Data</b>		
Compressor Type	—	DC Inverter Rotary
Compressor RLA	A	14.7
Refrigerant Type	—	R410A
Fan Motor Power Output	W	92
Fan Motor FLA	A	0.65
Sound Pressure Level	dB(A)	59
Power Supply	—	208/230V / 1Ph / 60Hz
Min/Max Voltage	V	187 - 253
Main Supply Wire Size	—	10-2 AWG
MCA	A	20.0
MOCP/Breaker Size	A	30.0

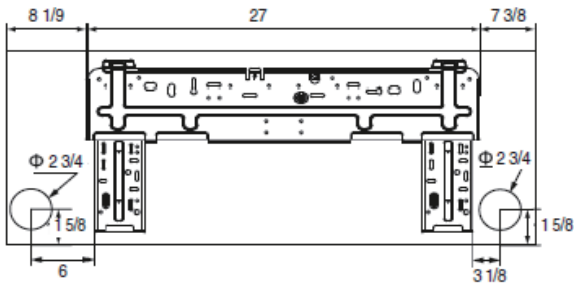
**Job Name:**
**Schedule Reference:**
**Date:**



Outline and Physical Dimension of KW24HQ2B8D.

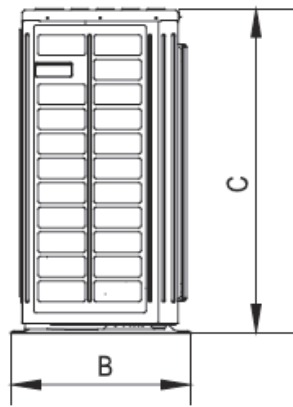
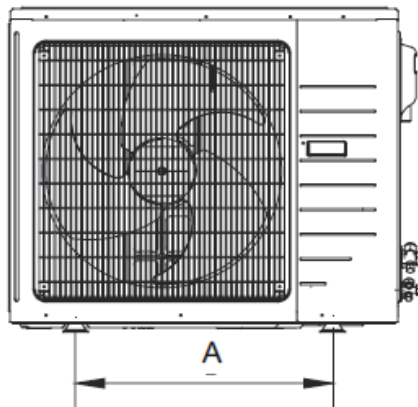


Dimensions	
A	42 3/8
B	12 3/4
C	9 3/4



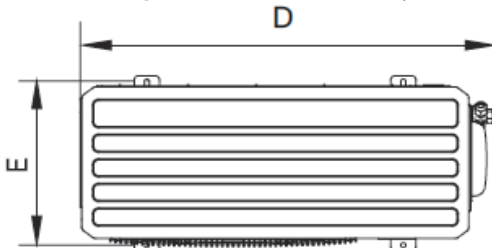
Liquid Line Valve	1/4-in OD Flared
Gas Line Valve	5/8-in OD Flared
Drain Connector	5/8-in OD

y



Dimensions	
A	24
B	16 3/4
C	31 1/8
D	38 5/8
E	14 1/2

y



Liquid Line Valve	1/4-in OD Flared
Gas Line Valve	5/8-in OD Flared

Net Weight IDU	lb
Gross Weight IDU	lb
Net Weight ODU	lb
Gross Weight ODU	lb



### COOLING PERFORMANCE (BtuH)\*

Outdoor Ambient DB	Indoor Ambient Temperature							
	68F DB (20C)		73F DB (23C)		80F DB (27C)		82F DB (28C)	
	57F WB (14C)		61F WB (16C)		67F WB (19C)		68F WB (20C)	
	TC	SHC	TC	SHC	TC	SHC	TC	SHC
5°F	11,904	9,336	12,576	9,859	14,193	11,132	14,619	11,402
14°F	14,285	11,204	15,091	11,831	17,031	13,358	17,542	13,683
23°F	15,651	12,277	16,740	13,131	19,181	15,044	19,756	15,410
32°F	16,198	12,707	17,326	13,591	19,852	15,570	20,448	15,949
41°F	16,765	13,151	17,933	14,066	20,547	16,115	21,163	16,507
50°F	17,352	13,612	18,560	14,559	21,266	16,679	21,904	17,085
59°F	18,979	14,885	20,300	15,921	22,233	17,433	22,900	17,862
68°F	21,494	16,858	22,838	17,909	24,405	19,141	25,137	19,607
77°F	21,241	16,662	22,592	17,720	24,181	18,967	24,907	19,427
86°F	20,196	15,838	21,539	16,896	23,510	18,438	24,215	18,888
95°F	19,114	14,991	20,450	16,034	22,390	17,561	23,062	17,988
104°F	18,188	14,265	19,517	15,308	21,808	17,108	22,462	17,520
113°F	17,255	13,532	18,584	14,575	20,882	16,374	21,509	16,777

### HEATING PERFORMANCE (BtuH)\*

Outdoor Ambient DB	Indoor Ambient Temperature							
	68F DB (20C)		73F DB (23C)		80F DB (27C)		86F DB (30C)	
	57F WB (14C)		61F WB (16C)		67F WB (19C)		72F WB (22C)	
	TC	SHC	TC	SHC	TC	SHC	TC	SHC
-4°F	13068	13068	12848	12848	12465	12465	12329	12329
0°F	14160	14160	13924	13924	13509	13509	13351	13351
6°F	14938	14938	14687	14687	14249	14249	14082	14082
10°F	15559	15559	15300	15300	14844	14844	14671	14671
16°F	16030	16030	15763	15763	15293	15293	15111	15111
19°F	16337	16337	16070	16070	15591	15591	15402	15402
24°F	18176	18176	17901	17901	17367	17367	17240	17240
32°F	20313	20313	20038	20038	19441	19441	19378	19378
41°F	22757	22757	22490	22490	21819	21819	21822	21822
43°F	23370	23370	23095	23095	22406	22406	22435	22435
47°F	23516	23516	23108	23108	22420	22420	22104	22104
53°F	23749	23749	23334	23334	22639	22639	22323	22323
59°F	24294	24294	23865	23865	23154	23154	22832	22832
64°F	24811	24811	24374	24374	23648	23648	23319	23319
70°F	25277	25277	24840	24840	24100	24100	23763	23763
75°F	25633	25633	25182	25182	24432	24432	24091	24091

\* Maximum system capacity

TC- Total Capacity ( BtuH)

SHC- Sensible Capacity (BtuH)



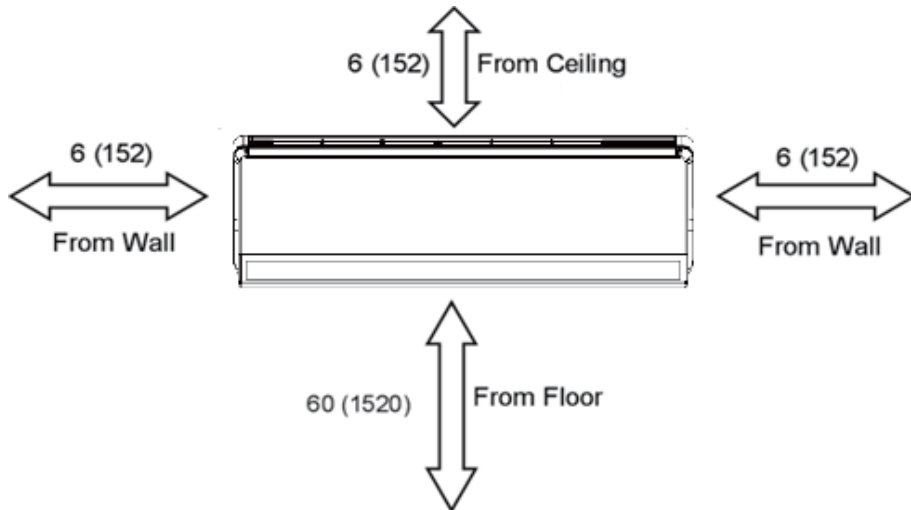
**DIMENSIONAL SPECIFICATIONS**

**KW24HQ2B8D**

**MINIMUM SPACING REQUIREMENTS**

Units: inch (mm)

**INDOOR**



Units: inch (mm)

**OUTDOOR**

