



SPLIT TYPE

TULIP

**Model:
KW09HQ3D6D**



| Item | Unit | Specification |
|-----------------------------|--------|-----------------------------|
| ODU Model | — | KW09HQ3D6DO |
| IDU Model | — | KW09HQ3D6DI |
| System Ratings | | |
| Cooling Capacity | Btu/h | 9,000 |
| Heating Capacity (47°F) | Btu/h | 9,000 |
| Heating Capacity (17°F) | Btu/h | 5,600 |
| Cooling Capacity Range | Btu/h | 1,535-12,966 |
| Heating Capacity Range | Btu/h | 2,388-13,648 |
| Cooling Power Input (Max) | W | 1,400 |
| Heating Power Input (Max) | W | 1,500 |
| SEER | — | 38.00 |
| HSPF | — | 15.00 |
| EER | W/W | 4.84 |
| COP | W/W | 4.47 |
| Cooling Operation Range | °F(°C) | 0~129.0 (-18.0~54.0) |
| Heating Operation Range | °F(°C) | -22~75.0 (-30.0~24.0) |
| Gas Pipe Size (OD) | Inch | 1/2 |
| Liquid Pipe Size (OD) | Inch | 1/4 |
| Connection Method | — | Flared |
| Factory Charge | oz | 45.9 |
| Additional Charge | oz/ft | 0.2 |
| Connection Pipe Length | ft. | 25 |
| Max Distance Length | ft. | 49 |
| Min Refrigerant Pipe Length | ft. | 10 |
| Max Distance Height | ft. | 33 |
| Indoor Unit Data | | |
| Fan Motor Power Output | W | 60 |
| Fan Motor RLA | A | 0.09 |
| Air Flow Volume | CFM | 424/383/353/324/294/265/206 |
| Sound Pressure Level | dB(A) | 43/40/38/36/33/31/19 |
| Dehumidification | pt/hr | 1.69 |
| Power Supply | — | 208/230V / 1Ph / 60Hz |
| Min/Max Voltage | V | 187 - 253 |
| MCA | A | 9.0 |
| MOCP/Breaker Size | A | 15.0 |
| Outdoor Unit Data | | |
| Compressor Type | — | DC Inverter Rotary |
| Compressor RLA | A | 6.9 |
| Refrigerant Type | — | R410A |
| Fan Motor Power Output | W | 30 |
| Fan Motor RLA | A | 0.28 |
| Sound Pressure Level | dB(A) | 57 |
| Power Supply | — | 208/230V / 1Ph / 60Hz |
| Min/Max Voltage | V | 187 - 253 |
| Main Supply Wire Size | — | 16-3 AWG |
| MCA | A | 9.0 |
| MOCP/Breaker Size | A | 15.0 |

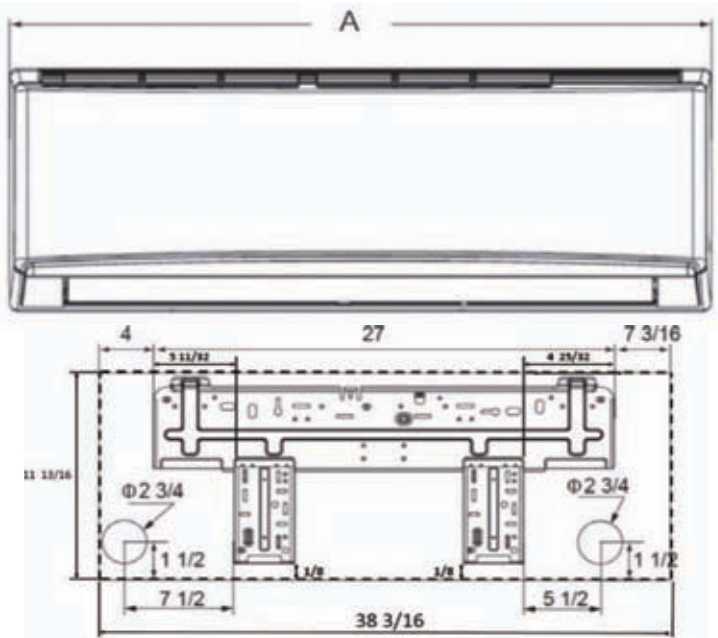
Job Name:

Schedule Reference:

Date:

Specification are subject to change without notice.

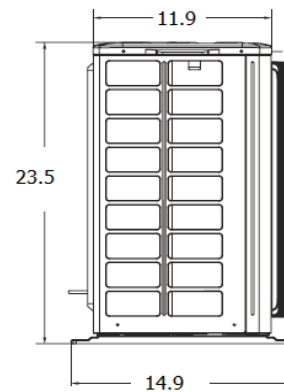
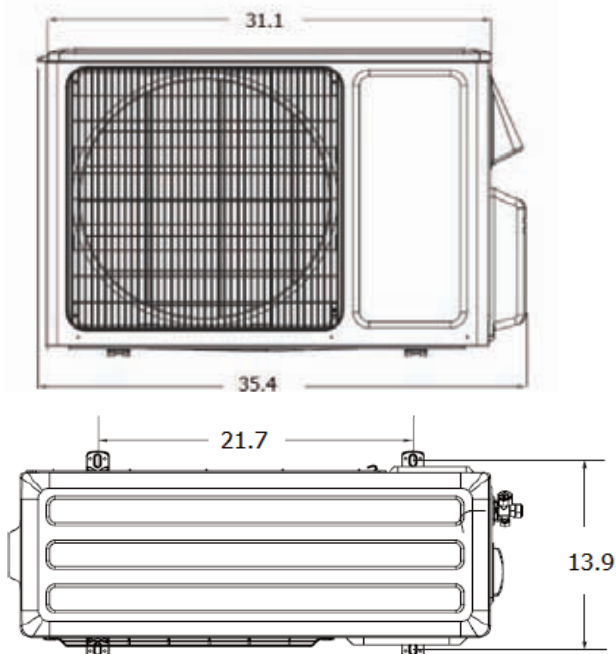
Outline and Physical Dimension of KW09HQ3D6D.



| Dimensions | |
|------------|------|
| A | 39.9 |
| B | 12.1 |
| C | 8.7 |

| | |
|-------------------|------------------|
| Liquid Line Valve | 1/4-in OD Flared |
| Gas Line Valve | 1/2-in OD Flared |
| Drain Connector | 5/8-in OD |

Units: inch



| | |
|-------------------|------------------|
| Liquid Line Valve | 1/4-in OD Flared |
| Gas Line Valve | 1/2-in OD Flared |

Units: inch