

# MULTI 24,000 BTUH Multi-zone 4-Way Cassette

**Model:  
KM24HKDI**



Item	Unit	Specification
Model	—	KM24HKDI
<b>System and Electrical Ratings</b>		
Rated Cooling Capacity	Btu/h	22800
Rated Heating Capacity	Btu/h	27400
Sound Pressure (High/Low)	dB(A)	47/39
Air Flow (max)	CFM	694
Normal Operational Voltage	—	208-230 V, 1 Ph, 60 Hz
Voltage Range	V	187-253
MCA/ Power Cable Size	A	1
<b>Unit and Pipe Data</b>		
Communication Cable Wire Size	AWG	14-4
Unit Dimensions (L×H×D)	mm	840 x 240 x 840
	Inch	33.1 x 9.5 x 33.1
Grille Dimensions (L×H×D)	mm	950 x 60 x 950
	Inch	37.4 x 2.5 x 37.4
Weight (Net/Shipping)	lbs	62/78
Air Filter	—	Netted polypropylene
Condensate Drain Lift (Height)	mm	305
	Inch	12
Drain Size (OD)	mm	31
	Inch	1.2
Refrigerant Type	—	R410A
Gas Pipe Size (OD)	Inch	5/8
Liquid Pipe Size (OD)	Inch	3/8
Connection Method	—	Flared

Job Name:

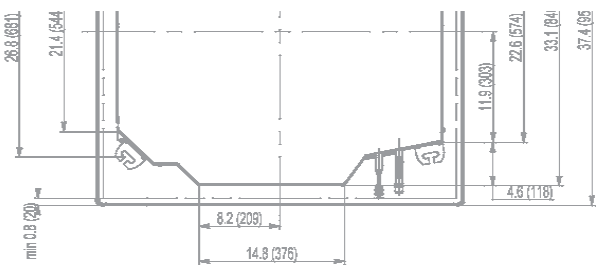
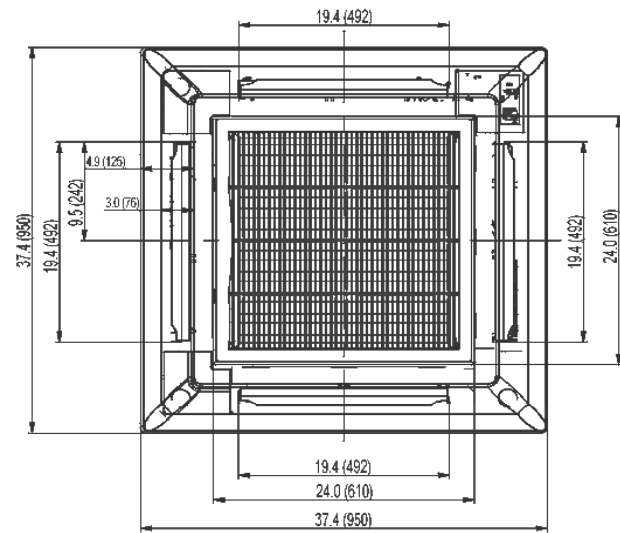
Schedule Reference:

Date:

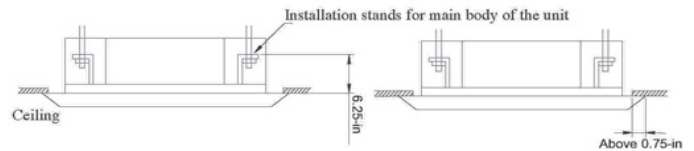
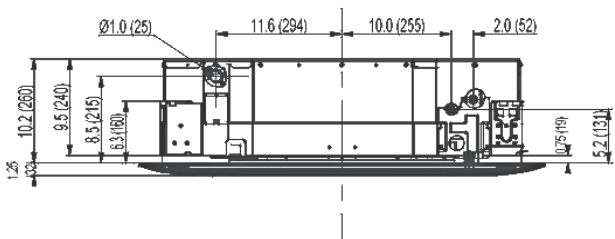


# Outline and Physical Dimensions of KM24HKDI.

Units: inch (mm)



Note: Size refrigerant lines based on evaporator port sizes.



## MINIMUM CLEARANCES

