

**MULTI**

**9,000 BTUH Multi-zone 4-Way Cassette**

**Model:  
KM12HKDI**



Item	Unit	Specification
Model	—	KM12HKDI
<b>System and Electrical Ratings</b>		
Rated Cooling Capacity	Btu/h	11946
Rated Heating Capacity	Btu/h	13652
Sound Pressure (High/Low)	dB(A)	44/36
Air Flow (max)	CFM	353
Normal Operational Voltage	—	208-230 V, 1 Ph, 60 Hz
Voltage Range	V	187-253
MCA/ Power Cable Size	A	1
<b>Unit and Pipe Data</b>		
Communication Cable Wire Size	AWG	14-4
Unit Dimensions (L×H×D)	mm	570 x 230 x 570
	Inch	22.5 x 9.0 x 22.5
Grille Dimensions (L×H×D)	mm	650 x 36 x 650
	Inch	25.6 x 1.5 x 25.6
Weight (Net/Shipping)	lbs	40/51
Air Filter	—	Netted polypropylene
Condensate Drain Lift (Height)	mm	305
	Inch	12
Drain Size (OD)	mm	31
	Inch	1.2
Refrigerant Type	—	R410A
Gas Pipe Size (OD)	Inch	3/8
Liquid Pipe Size (OD)	Inch	1/4
Connection Method	—	Flared

**Job Name:**

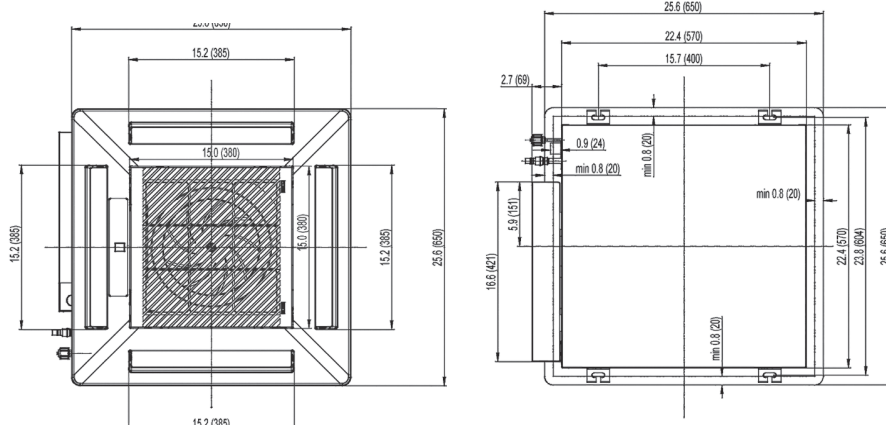
**Schedule Reference:**

**Date:**

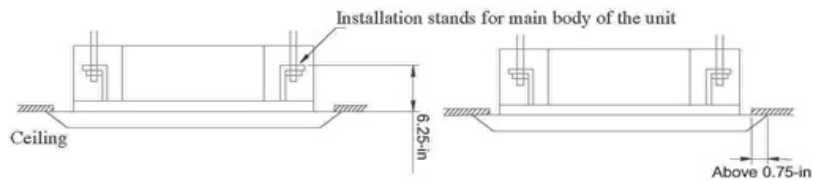
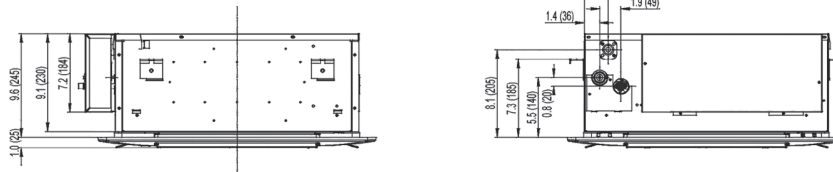


## Outline and Physical Dimensions of KM12HKDI.

Units: inch (mm)



Note: Size refrigerant lines



### MINIMUM CLEARANCES

