



KINGHOME
Made by Gree

SPLIT TYPE

LILAC

**Model:
KW12HQ3B8D**



Item	Unit	Specification
ODU Model	—	KW12HQ3B8DO
IDU Model	—	KW12HQ3B8DI
System Ratings		
Cooling Capacity	Btu/h	12,000
Heating Capacity (47°F)	Btu/h	13,000
Heating Capacity (17°F)	Btu/h	7,500
Cooling Capacity Range	Btu/h	3,753-12,500
Heating Capacity Range	Btu/h	3,924-14,000
Cooling Power Input (Max)	W	1,350
Heating Power Input (Max)	W	1,500
SEER	—	18.0
HSPF	—	9.0
EER	W/W	10.4
COP	W/W	3.05
Cooling Operation Range	°F(°C)	0~115.0 (-18.0~46.0)
Heating Operation Range	°F(°C)	-13.0~75.0 (-25.0~24.0)
Gas Pipe Size (OD)	Inch	3/8
Liquid Pipe Size (OD)	Inch	1/4
Connection Method	—	Flared
Factory Charge	oz	31.8
Additional Charge	oz/ft	0.2
Pre-Charge Length	ft.	25
MAX Refrigerant Length	ft.	100
Min Refrigerant Pipe Length	ft.	10
MAX Refrigerant Pipe Elevation	ft.	65
Indoor Unit Data		
Fan Motor Power Output	W	20
Fan Motor FLA	A	0.31
Air Flow Volume	CFM	194/400
Sound Pressure Level	dB(A)	29/43
Dehumidication	pt/hr	2.69
Power Supply	—	208/230V / 1Ph / 60Hz
Min/Max Voltage	V	187-253
MCA	A	9.0
MOCP/Breaker Size	A	15.0
Outdoor Unit Data7		
Compressor Type	—	DC Inverter Rotary
Compressor RLA	A	6.60
Refrigerant Type	—	R410A
Fan Motor Power Output	W	30
Fan Motor FLA	A	0.37
Sound Pressure Level	dB(A)	53
Power Supply	—	208/230V / 1Ph / 60Hz
Min/Max Voltage	V	187-253
Main Supply Wire Size	—	12-2 AWG
MCA	A	9.0
MOCP/Breaker Size	A	15.0

Job Name:

Schedule Reference:

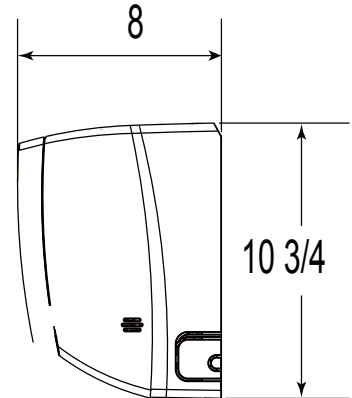
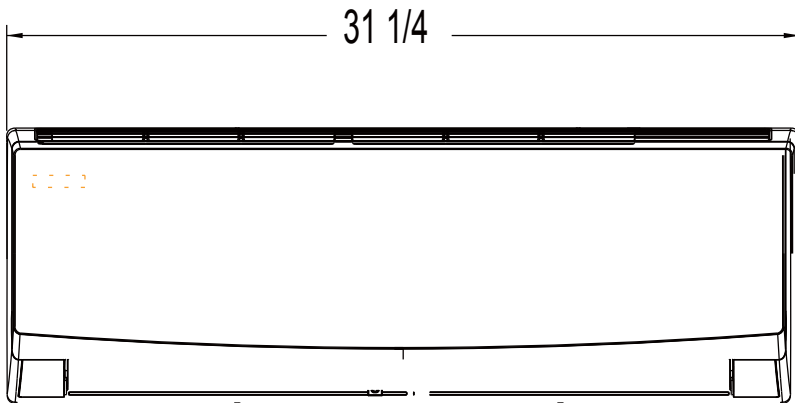
Date:

Specification are subject to change without notice.

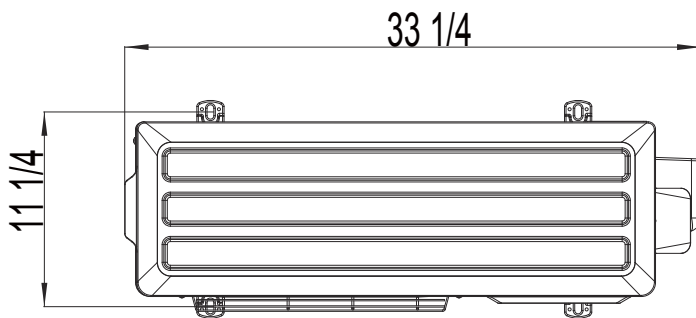
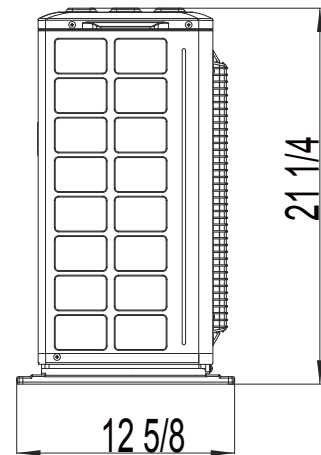
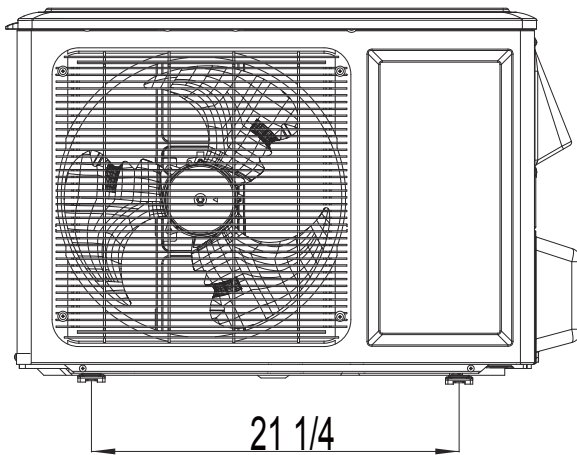


KINGHOME
Made by Gree

Outline and Physical Dimension of KW12HQ3B8D.



Unit : inch



Unit : inch

V	†	∅y	.	@
8	†	∅y	..	@
V	†	\)y	.	@
8	†	\)y	..	@





KINGHOME
Made by Gree

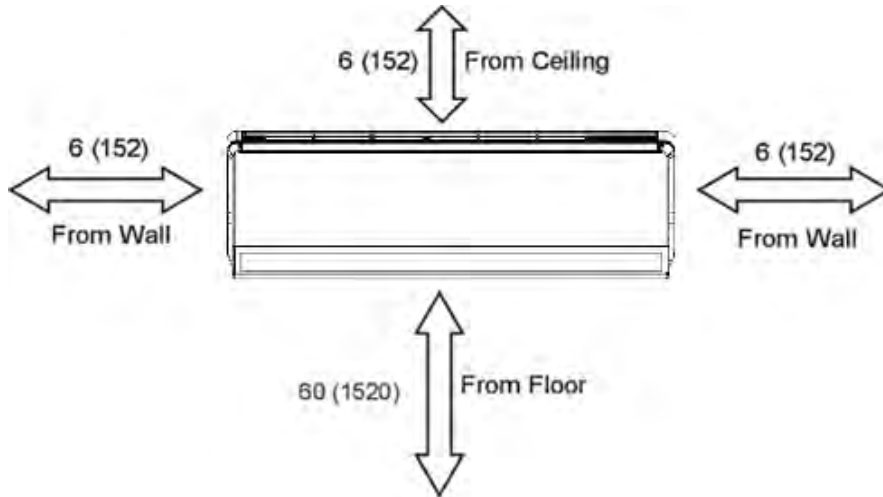
DIMENSIONAL SPECIFICATIONS

KW12HQ3B8D

MINIMUM SPACING REQUIREMENTS

Units: inch (mm)

INDOOR



Units: inch (mm)

OUTDOOR

