

208~230V Wall-Mounted-Cozy

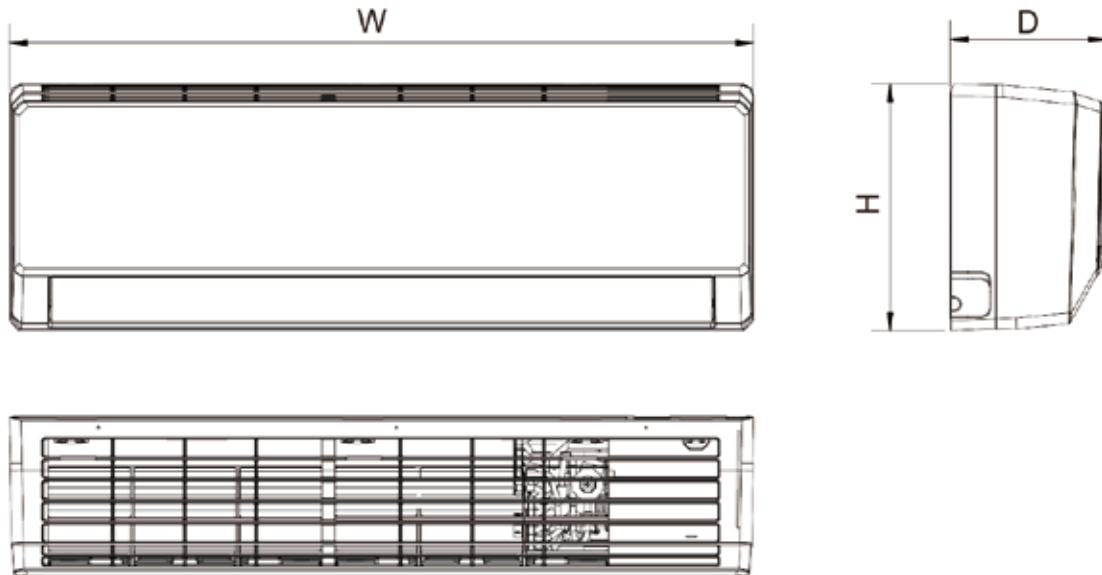
Model:GMV-N07G/A3A-D(U)



Specifications	Unit	Parameter
Model	—	GMV-N07G/A3A-D(U)
Performance		
Rated Cooling Capacity	kBtu/h	7.5
Rated Heating Capacity	kBtu/h	8.5
Sound Pressure Level	dB(A)	30/34/38
Electrical Data		
Power Supply	Voltage,Phase, Hertz	208/230,1,60
Maximum Overcurrent Protection (MOP)	A	15
Minimum Circuit Amps (MCA)	A	1
Fan		
Type x Quantity	—	Cross-flow×1
Air Flow Volume	CFM	206/247/295
Fan Motor Running Current	A	0.2
Fan Motor Power Output	W	20
Refrigerant Piping		
Connection Pipe	Gas(mm/inch)	Φ9.52/Φ3/8
	Liquid(mm/inch)	Φ6.35/Φ1/4
Connection method	—	Flare Connection
Refrigerant	—	R410A
Dimension/Weight		
Dimensions (H×W×D)	mm/inch	275×843×180 (10-13/16×33-3/16×7-1/16)
Net Weight	kg/lbs	10/22.1
Other		
Safety Certification	—	ETL

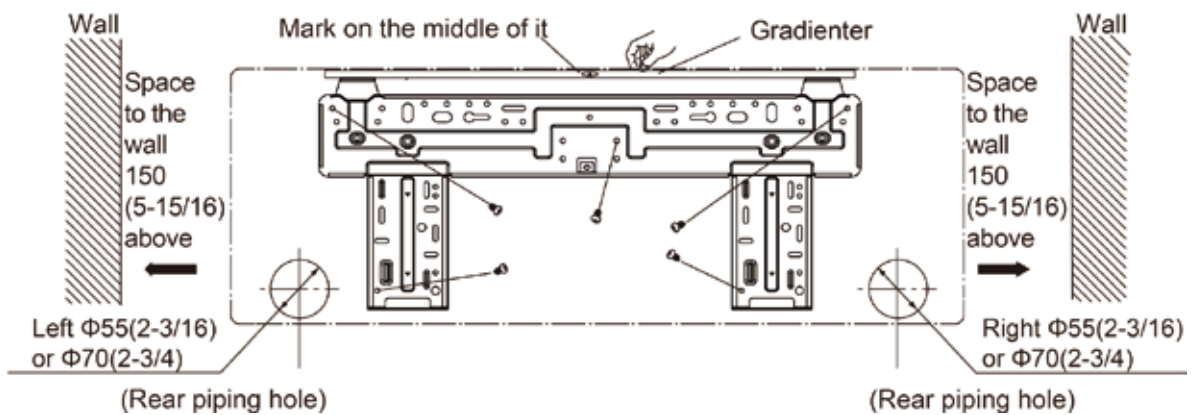
Job Name:		Date:	
System Reference No.:			
Engineer Signature:			

Outline and Physical Dimensions of GMV-N07G/A3A-D(U).



Item	W	H	D
Model			
GMV-N07G/A3A-D(U)	843(33-3/16)	275(10-13/16)	180(7-1/16)

The Installation of the Rear Panel



Unit:mm(in.)

